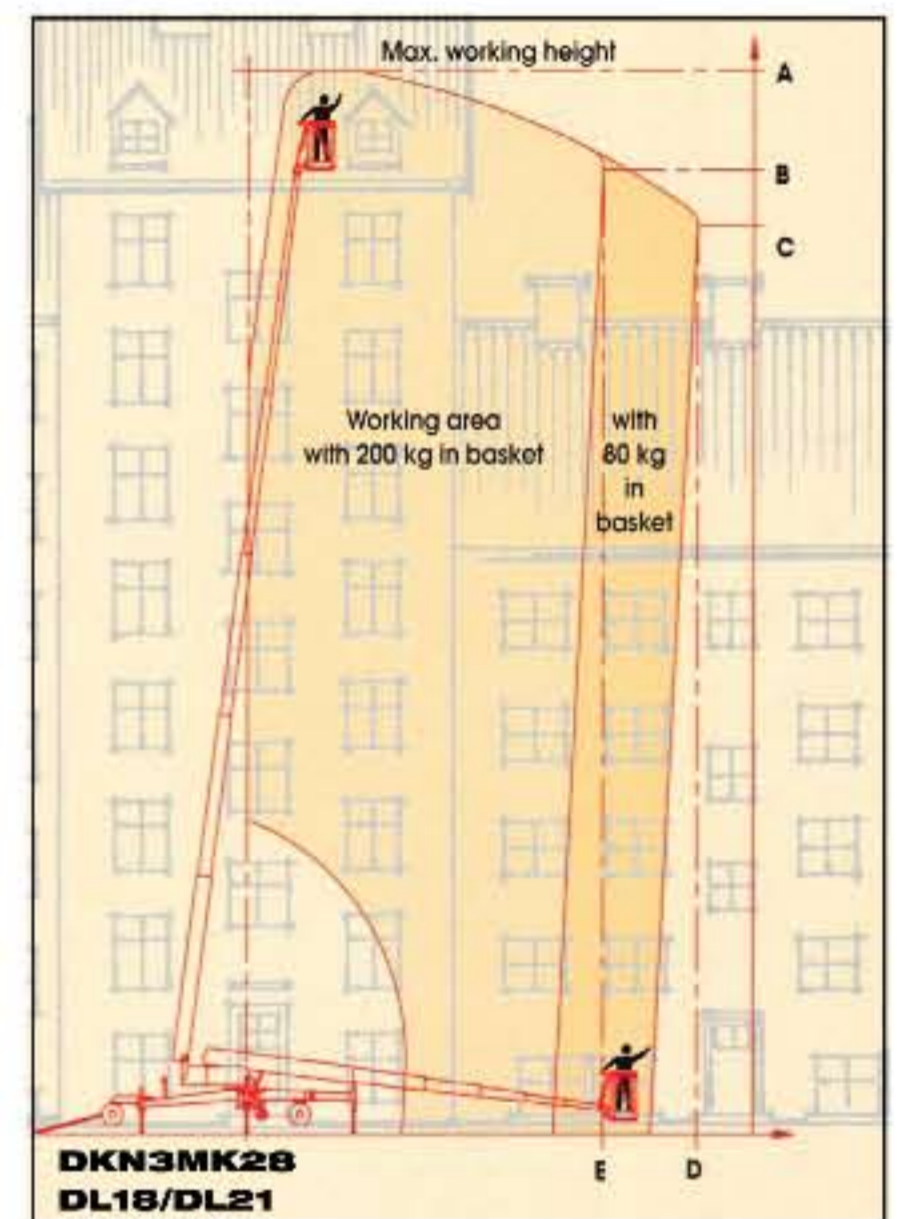
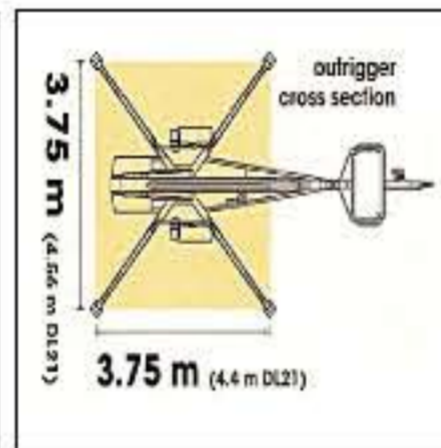
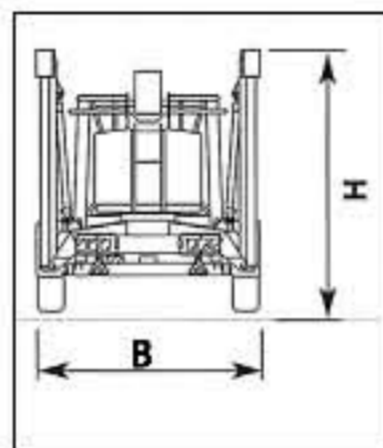
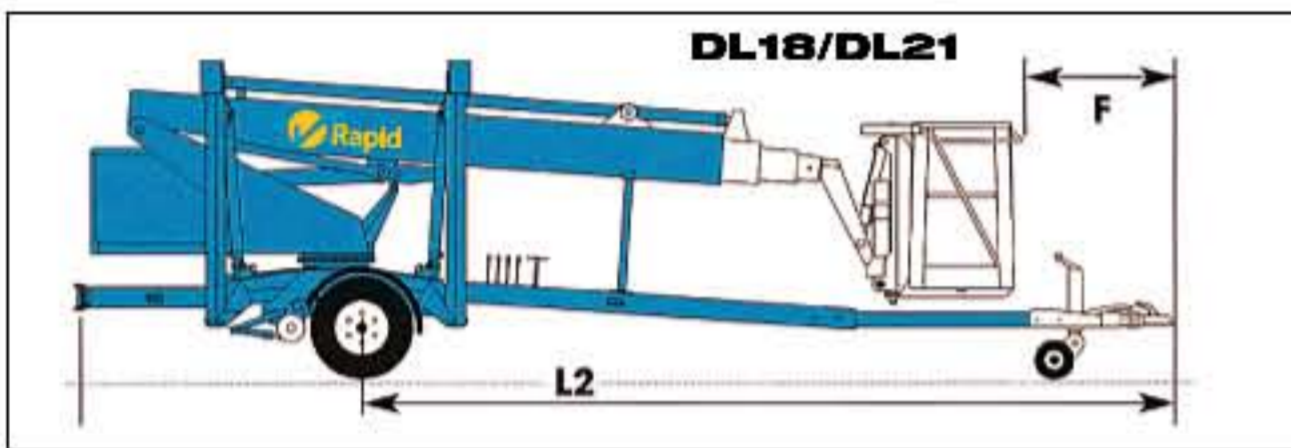
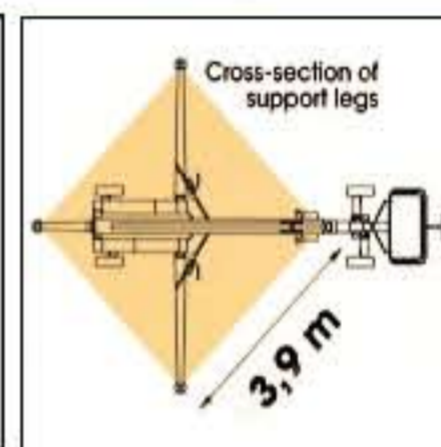
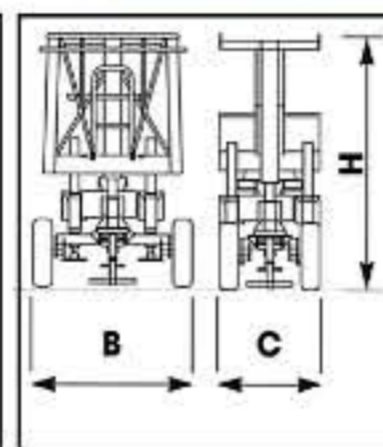
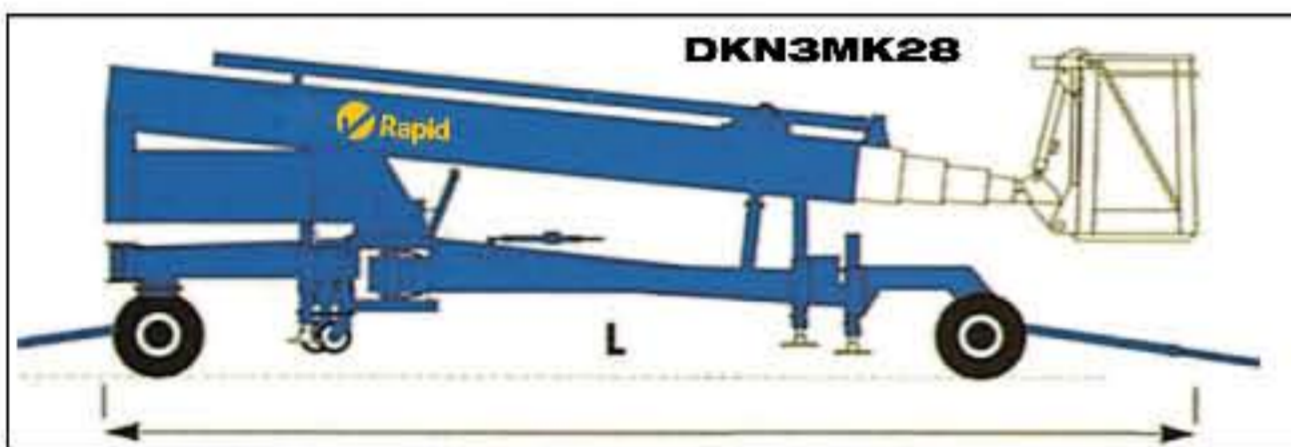


## Narrow and Trailer Mounted Lifts From 18m-28m working height



Model No	DKN3 MK28	DL 21	DL 18
Type	Narrow	Trailer mount	Trailer mount
Max. working height A	25/28m	21m	18m
Max. working height B	23.1m	18.7m	15.5m
Max. working height C	22/24.4m	17.3m	13m
Max. reach D	10.8/12.0m	11.3m	10.8m
Reach E	8.1/-m	9.5m	7.8m
Maximum load in basket	200/120kg	200 kg	200 kg
Maximum no. of person	2/1	-	-
Slew movement	cont. 360°	cont. 360°	cont. 360°
Length L	7300mm	8230mm	7350mm
Length L2	-	6400mm	5460mm
Height H	2100mm	2460/1970mm	2100mm
Max. width B	1370mm	1840mm	1840mm
Max. width C	870mm	-	-
Distance F	-	1040mm	965mm
Net weight	2500kg	2400 kg	2100 kg



**Trailer Mounts and Narrow Lifts:** are light weight booms typically built for indoor application, however these can be used outdoors in certain conditions. The specially designed boom section permits outreach whilst maintaining a high degree of stability and rigidity. Turntable may be rotated 360° in either direction, all these are controlled from the basket that may be detachable in some machines. They are powered by a rechargeable battery pack ensuring a smoke free and noise free operation. Travelling, placing and setting up the machine is achieved quickly and safely with its motorized drive and hydraulic outriggers. These machines go up to working heights of 28 meters.

Model	2500EBZ	2100EBZ
Type	Trailer mount	Trailer mount
Max. working height	25.1 m	21.1 m
Max. outreach	12.6 m	11.1 m
Max. basket load	200 kg	200 kg
Rotation	± 400°	± 400°
Turntable	1.25x0.81.1 m(2x41° electrical)	
Power supply	Battery	Battery
Battery	24v/180Ah/5h	24v/180Ah/5h
Charger	30 A	30 A
Travelling length	8.40 m	7.35m
Travelling height	2.10 m	2.10 m
Travelling width	1.70 m	1.70 m
Operational width	4.25 m	4.25 m
Total weight	2900 kg	2400 kg
230 v outlet in basket.	Max. 10 A	Max. 10 A
Hydraulic stabilizers	Yes	Yes
Proportional control	Yes	Yes
Propulsion	Yes	Yes

